



WWW.RESUNSOLAR.COM



RSM-100P-EX

RSM-100P is a robust solar module with 36 solar cells. These modules can be used for on-grid solar applications. Our meticulous design and production techniques ensure a high-yield, long-term performance for every module produced. Our rigorous quality control and in-house testing facilities guarantee Resun Solar's modules meet the highest quality standards possible.

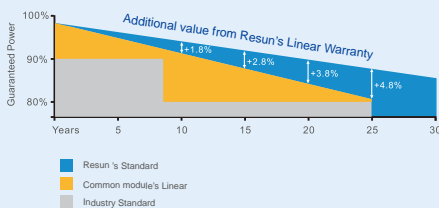
36 Cells
Poly-crystalline

100W
Power output

14.7%
The Highest Efficiency

0~ +5W
Tolerance

0.5% Annual Degradation
over 30 years



High module conversion efficiency (up to 14.7%), through superior manufacturing technology



Guaranteed 0~+5W positive power output tolerance ensures high reliability



Anti-reflective, hydrophobic coating improves light absorption and reduces surface dust



Excellent performance under low light environments (mornings, evenings and cloudy days)



Suitable for harsh environments, such as coasts, deserts and lakes. Withstand high level of wind loads (2400pa) and snow loads (5400pa)

Full range of products and certification systems

ISO 9001 TUV PID-FREE CE IEC61215/61730/61701/62716



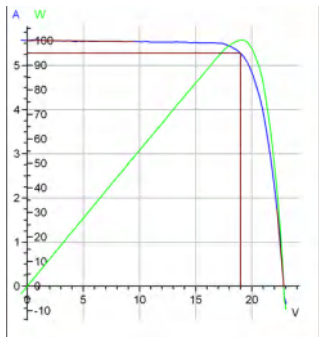
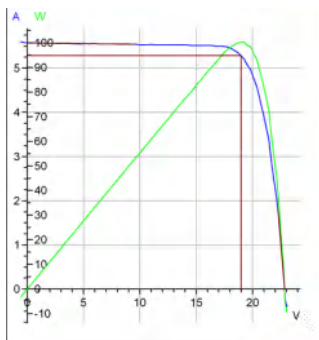
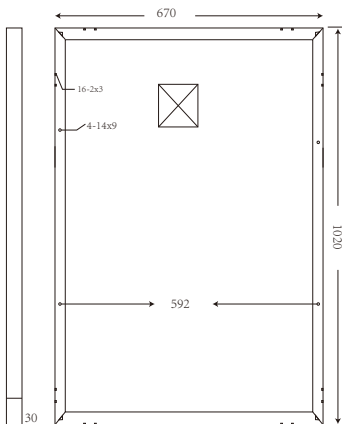
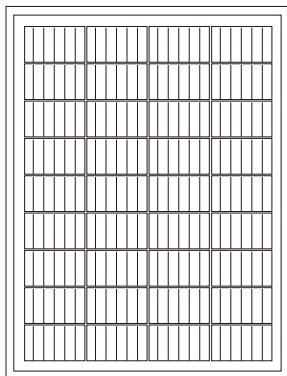
LINEAR PERFORMANCE WARRANTY
12 year Product Warranty / 30 year Linear Power Warranty

RSM-100P-EX



GLOBAL PROFESSIONAL PV PRODUCTS INTERGRATED SOLUTIONS SUPPLIER

Dimension of PV Modules Unit: mm



ELECTRICAL DATA(STC)

Rated Power in Watts-Pmax(Wp)	100W
Open Circuit Voltage-Voc(V)	22.70V
Short Circuit Current-Isc(A)	5.78A
Maximum Power Voltage-Vmp(V)	18.92V
Maximum Power Current-Imp(A)	5.29A
Module Efficiency (%)	14.7%

STC: Irradiance 1000 W/m², Cell Temperature 25°C, Air Mass AM1.5 according to EN 60904-3.

ELECTRICAL DATA(NOCT)

Maximum Power-Pmax (Wp)	74.67W
Open Circuit Voltage-Voc (V)	21.27V
Short Circuit Current-Isc (A)	4.67A
Maximum Power Voltage-Vmp(V)	17.62V
Maximum Power Current-Imp(A)	4.24A

NOCT: Irradiance at 800 W/m², Ambient Temperature 20°C, Wind Speed 1 m/s.

MECHANICAL DATA

Solar cells	Poly-crystalline 156x104mm 5 Bus bars
Cell configuration	36 cells(4x9)
Module dimensions	1020x670x30 mm
Weight	7KGS
Front Cover	3.2mm Tempered Glass
Frame Material	Anodized Aluminum Alloy
J-BOX	IP65 or IP67, 6 Diodes
Cable	4mm ² (IEC)/12AWG(UL),900mm
Connectors	MC4 or MC4 Comparable
Standard Packaging	5pcs/suite box

TEMPERATURE & MAXIMUM RATINGS

Nominal Operating Cell Temperature (NOCT)	45°C±2°C
Temperature Coefficient of Voc	-0.32%/°C
Temperature Coefficient of Isc	0.05%/°C
Temperature Coefficient of Pmax	-0.39%/°C
Operational Temperature	-40~+85°C
Maximum System Voltage	1000V(IEC)/600V(UL)
Max Series Fuse Rating	10A
Limiting Reverse Current	10A

PACKAGING CONFIGURATION

	40HQ	20GP
Number of modules per container		
Package		
Package Weight		
Package Number		

A: No.99, Zhidong Road, Zhixi Town, Jintan District, Changzhou City, Jiangsu Province, China

T: +86 512-66292101
W: www.resunsolar.com E: info@resunsolar.com